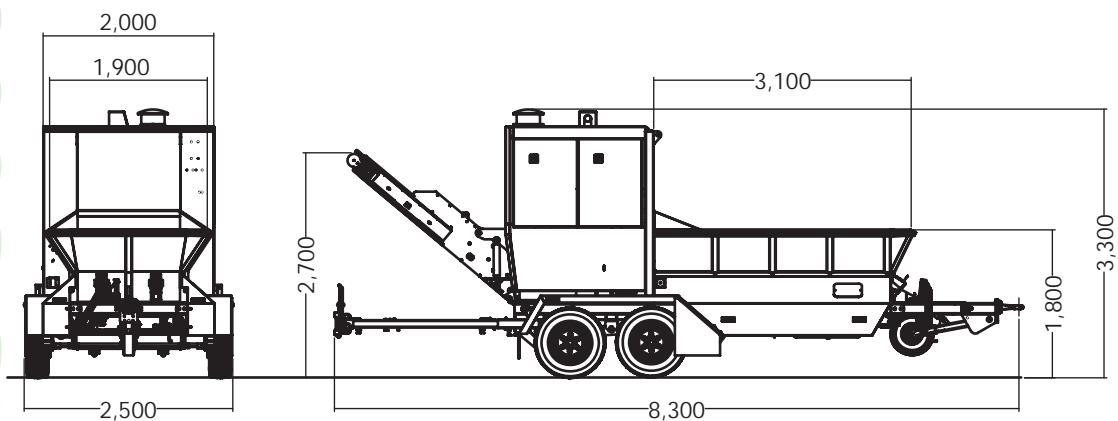




Technical Data

MS 3000



Technical Data Mini-Shark

Transport measurements l/w/h 8300/2500/3300

Engine

Manufacturer	Perkins
Type	1204F-E44TA
Power	kw/HP 130/176
Emission	EUROMOT IV

Chassis 2 axle central chassis for 50 m/h permissible total weight 9.000 kg

Rotor

	Flailsystem	fixed hammers (optional)
Weight (equipped)	kg approx. 550	approx. 400
Width	mm 1250	
Diameter	mm 700	
Flails/Milling Strips	pcs 18/6	22/4
Throughput (green waste)	up to 35 m³/h	

Endless Floor and Infeed Roller rotation speed infinitely variable adjustable

Rakes and screens adjustable by remote control

Changes to technical data is reserved. Copying and reprint only allowed with our permission!

Equipment

discharge Conveyor (rubber band); hydr foldable 2,7 m	#	o
Neodymium magnet with collection box		o
Wheel Drive	#	o
Remote Control system		o
Central lubrication system		o
hydraulic shafts extractor	#	o
Hydraulic support wheel	#	o
Reversible fan	#	o
Working lights	#	o
Water spray system		o
Trailer coupling		o
Special paint		o
Bio Oil		o
visible belt scale		o
Emission filter		o

o Option
All the functions marked with # can be operated with the optional remote control.



Shredder | Series | Mini-Shark

Mini-Shark

Entry model for the highest demands



WILLIBALD
innovation with passion

Headquarters

J. Willibald GmbH
Bahnhofstr. 6
D-88639 Wald-Sentenhart

Tel.: +49 (0)7578/189-0
Fax: +49 (0)7578/189-150

info@willibald-gmbh.de
www.willibald-gmbh.de

Subsidiary

Servicezentrum
Im Wolfgraben 5
D-36414 Unterbreizbach

Tel.: +49 (0)36 962/514-10
Fax: +49 (0)36 962/514-18

Mini-Shark

Entry model for the highest demands



MS 3000 Mini-Shark - optimized for medium throughput

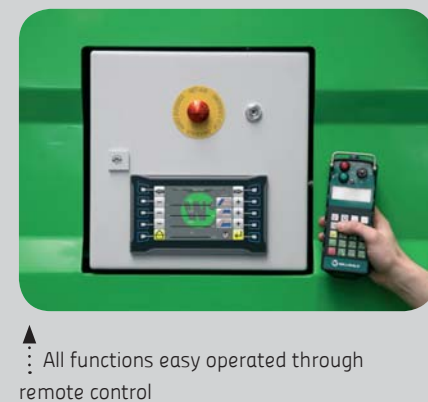
The compact shredder convinces potential customers with its performance and low running costs for small to medium throughput. Due to customer demands, the most convincing innovations from the extremely successful shredder series EP 5500 Shark were implemented in this new Willibald entry model. The shredding system with easy adjustable rakes and screens via remote control will suit your individual product requirements. The MS 3000 processes various materials reliably through its innovative shredding system. For an even better adaption to the individual requirements there are 2 rotor types available.



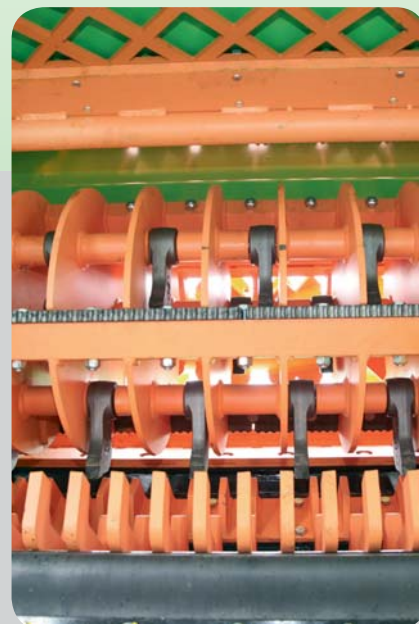
- ◀... Perkins Engine power with the latest emission standard
- ◀... Efficient Bosch Rexroth Hydraulic with load sensing
- ◀... Effective power transmission through power belts
- ...▶ Easy adjustable rakes and screen via remote control to suit your individual product requirements.

Fast and safe maintenance access

Change from working to maintenance position in a few minutes!



▲ All functions easy operated through remote control



- ▲ Quick and easy exchange of tools and wearparts
- ◀... Our unique access to the rotor ensures the exchange of the wear parts in a minimal time.



◀... Effective and powerful rotor with fast exchangeable tools



◀... Infed floor - aggressive infed roller with up to 30 cm opening